

LAARS

POOL & SPA

HEATING

SYSTEMS



LX/LT
Heaters

Laars[®]
Heaters



Introducing the first pool/spa heater so advanced it's simple.

Technology. Reliability.

Laars LX/LT Heaters

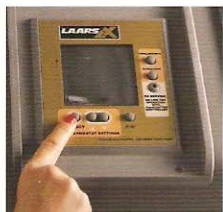
Our exclusive digital controls provide more precision and less hassle. And inside the incredibly reliable LX/LT heaters you'll find plenty of features to warm up to:

- Fan assisted controlled combustion for consistent efficiency - 83%
- Corrosion resistant polymer headers for improved circulation
- Contemporary design to blend into any backyard landscape
- Capable of automating Pool/Spa

Both the LX and LT models include automation-ready features to provide convenient pool-to-spa switching.



LT Temperature Controls



LX Graphical User Interface (GUI)

The LX control and user-friendly graphical interface is a key element in your RS™ controlled pool/spa environment. The LT has a simplified dual electronic thermostat.

HOW TO CHOOSE A POOL HEATER SIZE

First, determine the desired temperature difference by subtracting the coldest average air temperature when the pool will be in use from the desired pool water temperature. [Example: 85°F (desired pool water temperature) - 60°F (temperature when pool is opened) = 25°F difference.] Then, using the Pool Heater Sizing chart to the right, select the appropriate heater model number. Sizing chart based on 3-1/2 mph average wind and average pool depth of 5-1/2 feet. Blue figures based on zero wind.

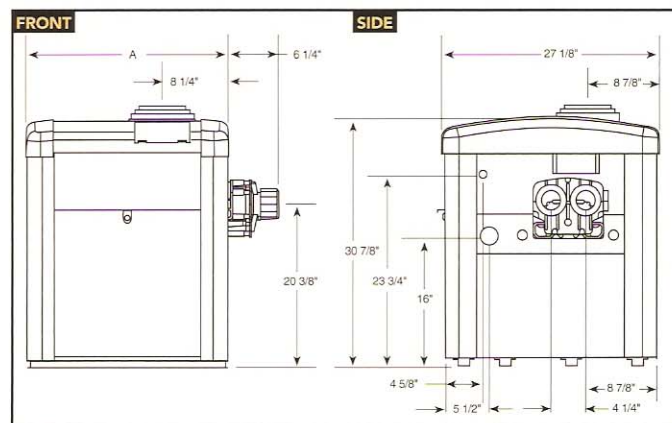
HOW TO CHOOSE A SPA HEATER SIZE

Identify the number of gallons your spa holds. Decide the heat-up time desired, and note on the chart which Laars LX/LT model is recommended. The chart indicates the approximate time required to raise the spa temperature 30°F. A model number 250 heater on a 600 gallon spa will take approximately 45 minutes to raise temperature approximately 30°F (depending on wind, insulation, etc).

Please see your area sales rep for more information.

SPECIFICATIONS

MODEL	WIDTH	HEIGHT	DEPTH	VENT	SHIPPING WEIGHT	HEATER WEIGHT
250	28 1/4"	30 7/8"	27 1/8"	7.0"	206 lbs.	172 lbs.
400	34 1/4"	30 7/8"	27 1/8"	9.0"	318 lbs.	216 lbs.



POOL HEATER SIZING

Temp. Diff.	250	400
15°F	1333-1778	2133-2844
20°F	1000-1333	1600-2133
25°F	800-1067	1280-1707
30°F	687-889	1067-1422
35°F	571-762	914-1219

SPA HEATER SIZING

Model Number	250	400
Spa Size (Gal.)	Time to Heat Spa 30°F (Minutes)	
200	15	9
400	30	19
600	45	28
800	60	37
1000	75	47

Laars
Heaters

Jandy Pumps • Jandy Filters • Laars Heaters • Jandy Controls
Jandy Valves • Jandy Water Features • Fiberstars Fiber Optic Lighting
Jandy Pool Cleaners • Jandy Pool Accessories

Mat #0622 Rev A



waterpik
Technologies, Inc.

USA: 800.227.1442 • CANADA & INTERNATIONAL: 905.844.3400 • www.jandy.com • © 2001 Water Pik Technologies, Inc.

